

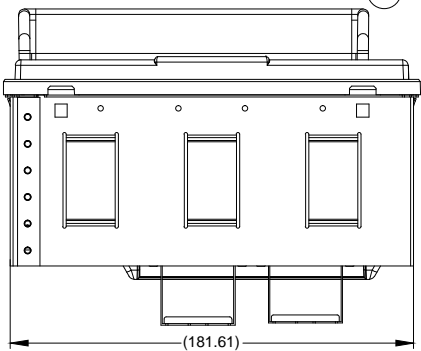
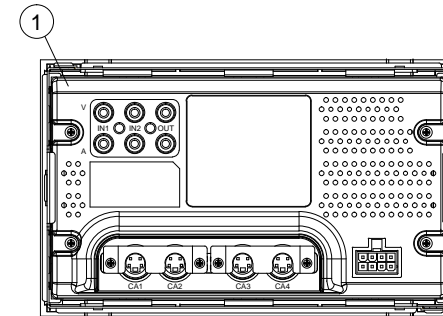
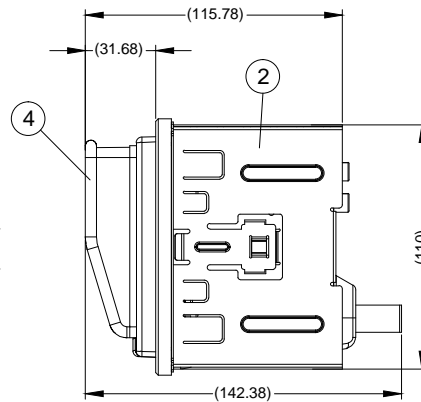
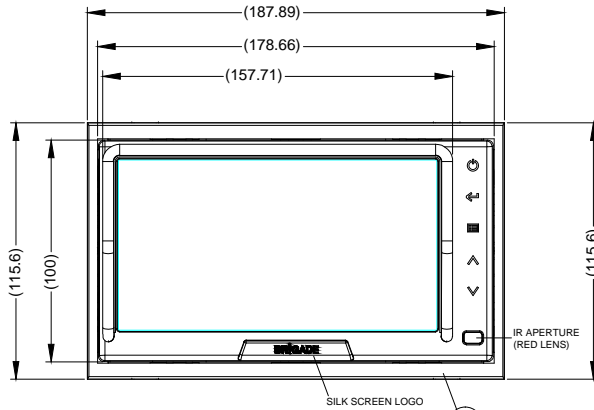
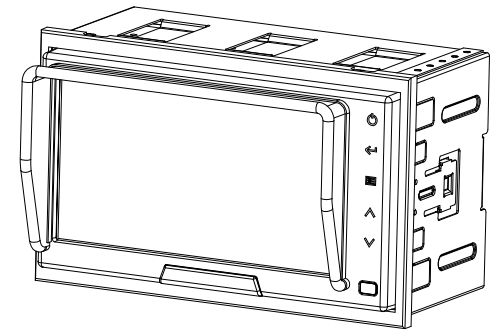
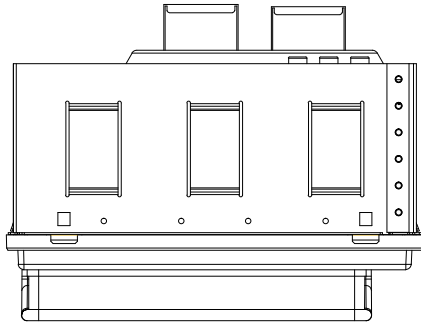
Revision Notes.

1. UPDATED BOM ADDED ITEM NUMBER 8.

Checked By: M.B

Approved By: D.K

Date Released: 02/05/12



ITEM	STOCK CODE	QTY	MOODEL NO/DESCRIPTION
1	(3936)	1	BE-865DDM-M MONITOR ONLY
2	(3937)	1	BE-865DDM-TB TRIM BRACKET
3	(3938)	1	BE-865DDM-DP DECORATION PLATE
4	(3562)	1	BE-865DDM-SS SUN SHIELD
5	(3939)	1	BE-865DDM-CA CABLE ADAPTER (NOT SHOWN)
6	(3940)	1	BE-865DDM-FIX FIXING KIT (NOT SHOWN)
7	(3946)	1	BE-865DDM-IG INSTALLATION GUIDE (NOT SHOWN)
8	(3935)	1	BE-865DDM-CGB (COLOUR BOX) (NOT SHOWN)

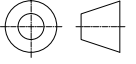
NOTES:

1. TO BE SUPPLIED IN BRIGADE BRANDED BOX.
2. REFER TO COMPONENT DRAWINGS FOR COMPONENT DETAIL.
3. REFER TO COMPONENT PRODUCT SPEC FOR PRODUCT SPECIFICATIONS.
4. FOR GIFTBOX LABEL REFER TO LATEST REVISION OF DRAWING BE-001774-XX-11.

PROPRIETARY NOTICE

THIS DESIGN AND TECHNICAL INFORMATION APPEARING ON THIS DRAWING IS THE PROPERTY OF BRIGADE ELECTRONICS, AND IS DISCLOSED IN CONFIDENCE. IT IS NOT TO BE COPIED, REPRODUCED, REVEALED TO OR EXPROPRIATED BY OTHERS, EITHER IN WHOLE OR IN PART WITHOUT THE EXPRESS WRITTEN CONSENT OF BRIGADE ELECTRONICS.

BRIGADE[®]
www.brigade-electronics.com

Assembly Pl Approval H.CHOI - 12/03/12	Approved by D.KERAI	Checked by M.BUTLER	Released 12/03/12	Drawn by J.NEWMAN
Angle of Projection 	Units mm	Scale N/A	Status RELEASED	Assembly Ref ECL-65WDB
Third Angle	Stock Code 3935	BE-865DDM BE-001723-01-11		